

DIRECT AND INDIRECT LED PENDANT LIGHT



Features

- Convenient installation and saves labor cost and time
- Appearance: modern novel design that is nearly transparent when off
- Environmental protection: no infrared
- Aluminum: strong aluminum fixture, shock-proof
- ETL certificated

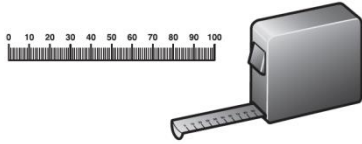


DIRECT AND INDIRECT LED PENDANT LIGHT

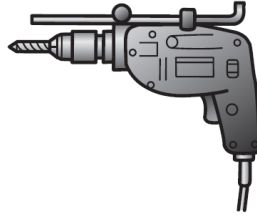
ITEM #	SIZE	LENGTH (IN)	VOLTAGE	WATT	LUMEN OUTPUT	CRI	WEIGHT
SWWGMPJD12395W50	4FT	48 x 15 x 3.8	AC 110 / 277V	40W	4,000	>90	5 KG



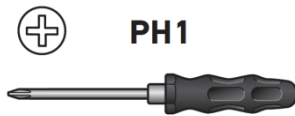
1. Installation tools



Measuring Tape



Hand drill (8MM drill bit)



Screw driver PH1



Stripping piers

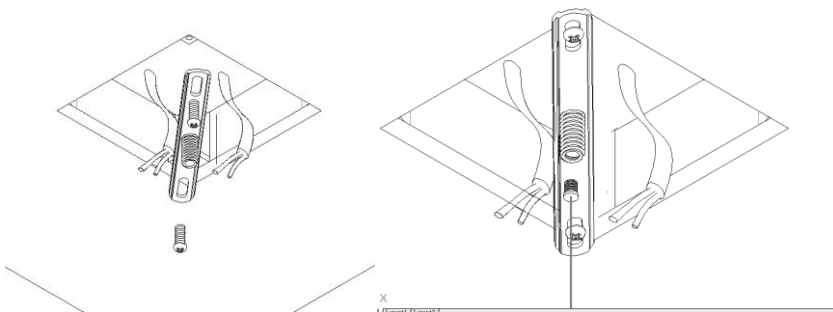
2. Installation procedures:

1) Check the BOM before installation.

Lamp body	1PCS
Accessory box	1PCS
Hanging rope (in accessories box)	2PCS
Screw 4.5*40MM (in accessories box)	2PCS
Canopy (in accessories box)	1PCS
Bracket (in accessories box)	1PCS
Screws M4*25MM (in accessories box)	2PCS
Rubber plug (in accessories box)	2PCS
Cable tie (in accessories box)	2PCS

2) Install the hanging ropes.

Step 1, Lock the bracket to the junction box. As picture (1). Screw one end of the hanging rope into the middle of this bracket. As below picture (2).



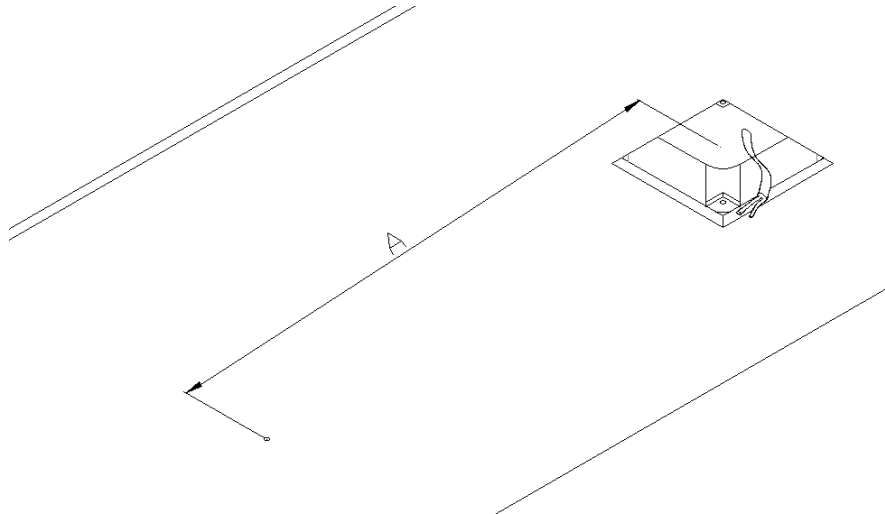
(1)

(2)

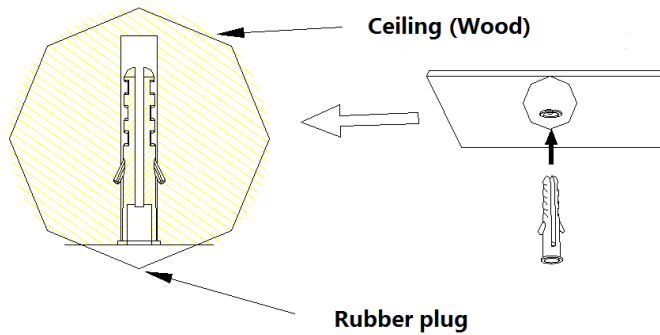
Dimension of the bracket: L155*W17.77*H5.89mm

Step 2, Confirm the other hanging rope's position according to the distance from the fixed rope.
 References of distance between the two ropes are as chart below.

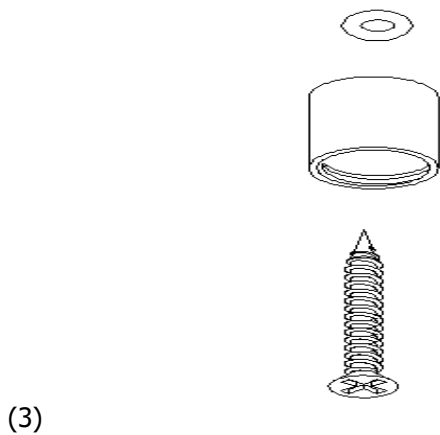
GM-PJD12395W50 (1.2M)	$A \leq 1100\text{MM}$
-----------------------	------------------------



Step 3, Mark up the position and drill an 8MM hole. Put the rubber plug into the hole.

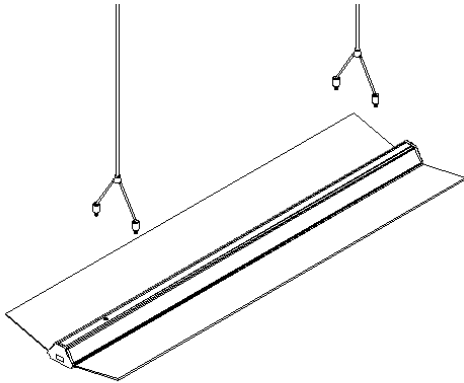


Step 4, Lock the screw stand to the hole as picture (3). Screw one end of the hanging rope into the screw stand as picture (4).



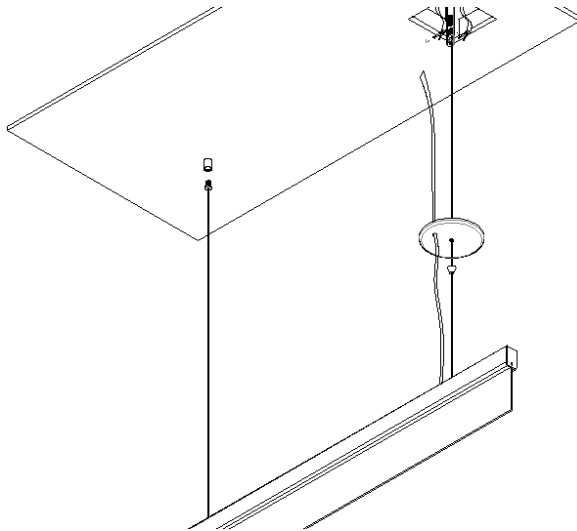
3) Hang up the lamp body

Lift the lamp body, screw the other end of the hanging rope into the back hole of lamp as picture below:



4) Connect the wires

Step 1, Adjust the height of lamp then put the power cord through the canopy to the junction box as picture below. Connect the the power cord with wires in the junction box: L to L (white), N to N (black), DIM+ to DIM+ (red), DIM- to DIM- (yellow):



Step 2, Lock the canopy with the junction box as picture below:

Dimension of the canopy: $\Phi 160 \times 20\text{mm}$

