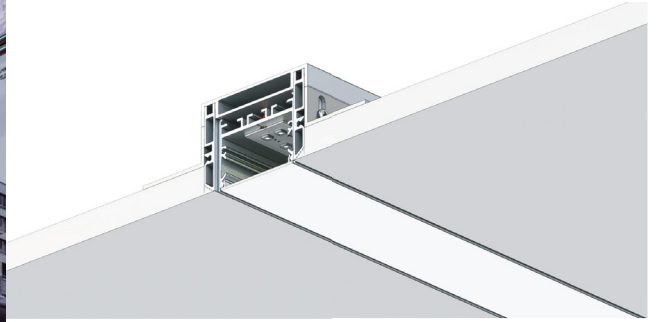


SIMPLY CLEAN LED RECESSED FIXTURES

Item #: SWWACSLRF



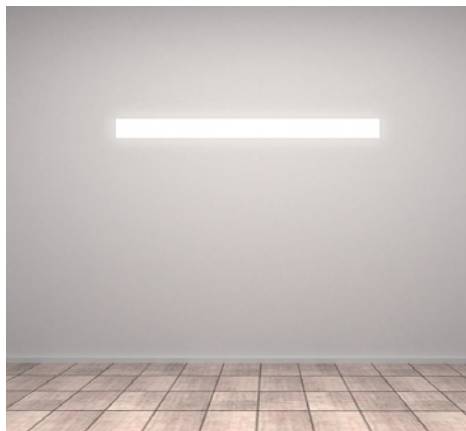
Simply Clean series of recessed fixtures are designed to be harmonious with the physical space of a room. These extrusions can be installed into any size new or existing drywall/gypsum walls and ceilings. Wattages range from 3 W/ft to 12 W/ft (9.8 W/m to 39.4 W/m) and is available in white, static colors, Variable White, RGB, RGBW, RGBA, and Warm Dim. The internal LEDs can be installed with waterproof coating, making them resistant to moisture, however these fixtures are not intended for outdoor use.

- IP Rating; IP20, IP65, IP68 options
- Simply clean recessed fixture
- Can be recessed or used as accent lighting
- 14 Color Options
- Waterproof and UV resistant
- Additional accessories available; drivers, installations, and controllers etc.

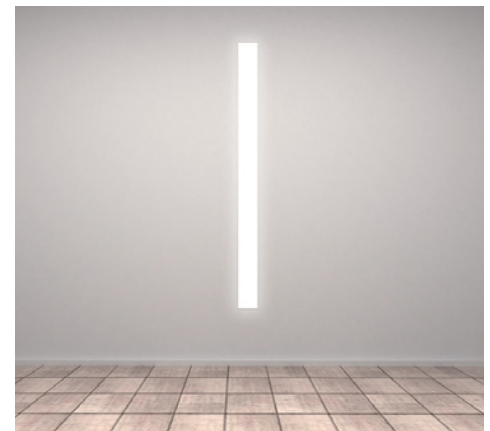
MOUNTING OPTIONS



Ceiling mount



Horizontal wall mount





Vertical wall mount

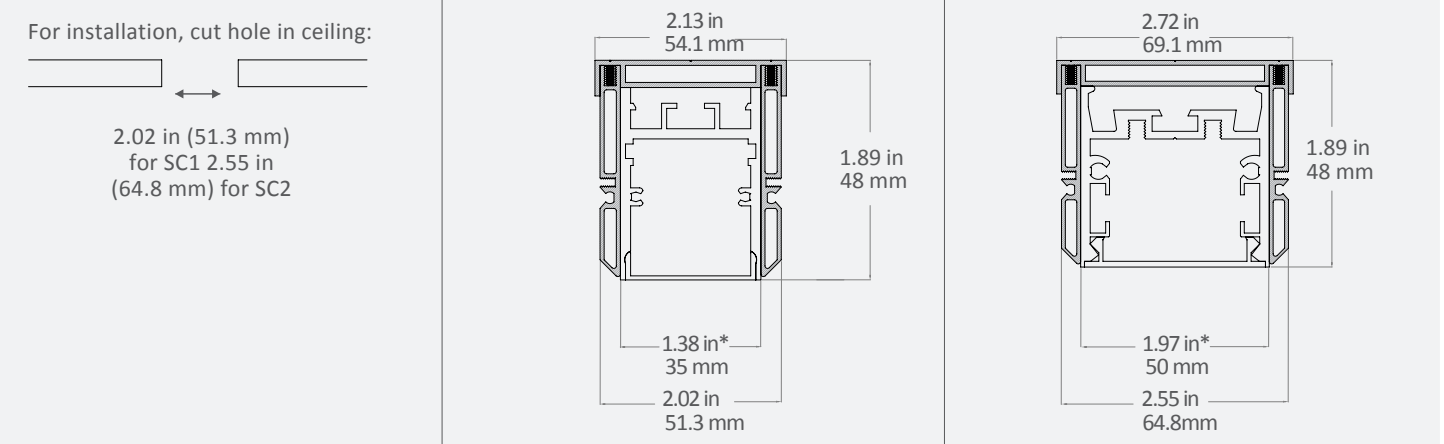
SPECIFICATIONS

SC1

SC2

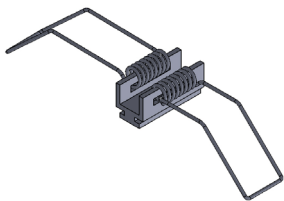
		
Beam Angle	60°	80°
Internal Width	1.38 in (35 mm)	1.97 in (50 mm)
Height	1.89 in (48 mm)	1.89 in (48 mm)
Wattage	3 W/ FT, 6 W/ FT, 8.8 W/ FT, 10 W/ FT, 10.4 W/ FT,	11 W/ FT, 12 W/ FT
Internal	--	--

Length
 Sold by the foot or meter. We recommend field cutting by contractor on site for any run lengths greater than 8 feet or 2.5 meters, to ensure that measurements align exactly with the architectural space.



* Length of visible light diffuser

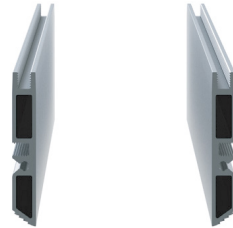
PARTS



Spring clip Assembly



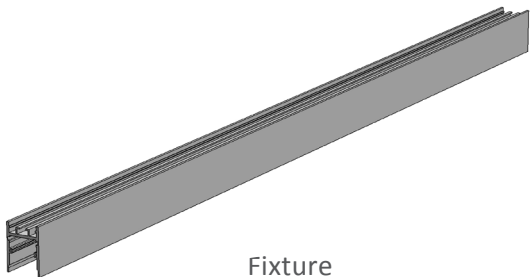
Back base



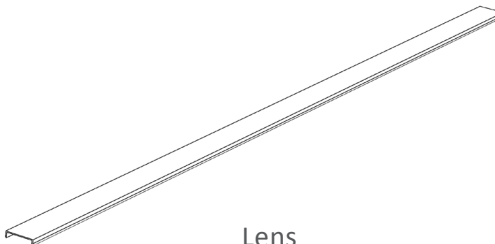
Trimless kit



L bracket



Fixture



Lens



End cap